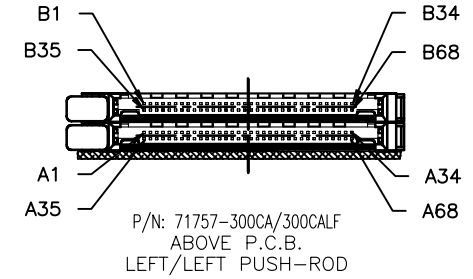
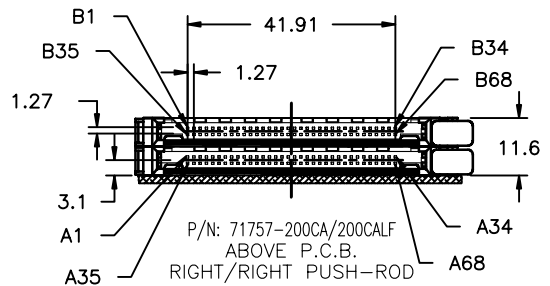
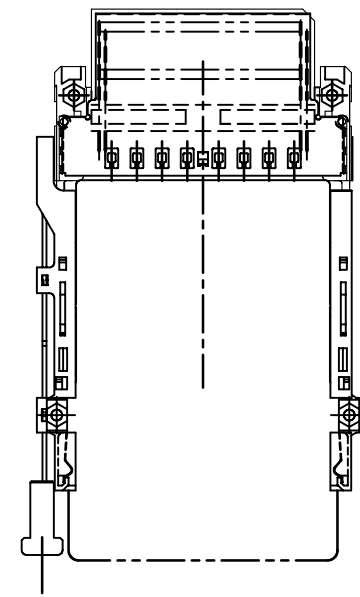
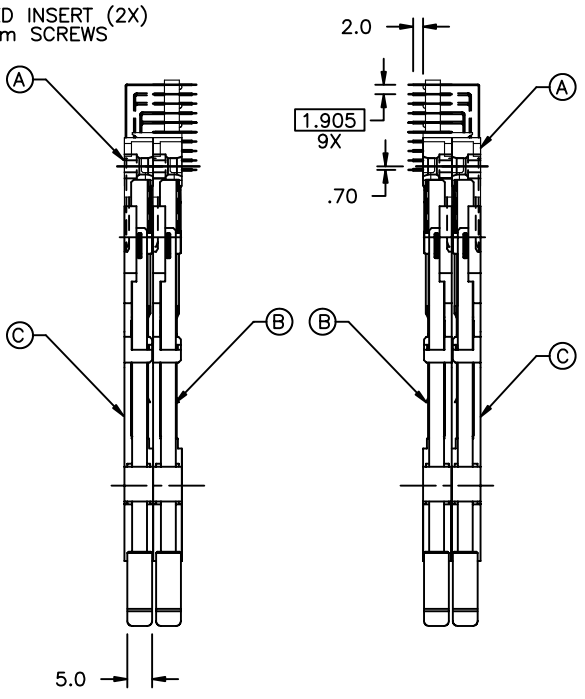
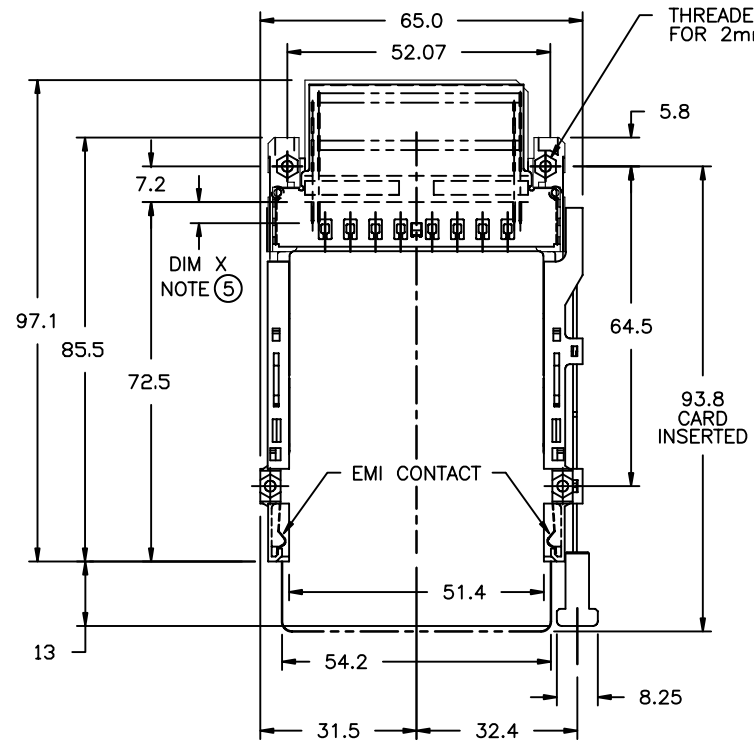


Tous droits strictement reserves. Reproduction ou communication a des tiers interdite sous quelque forme que ce soit sans autorisation ecrite du proprietaire. Propriete de c FCI. Droits de reproduction FCI.

All rights strictly reserved. Reproduction or issue to third parties in any form whatever is not permitted without written authority from the proprietor. Property of FCI. Copyright FCI.



PRODUCT NUMBER	DOUBLE - DECK HEADER (A)	LOWER EJECT MECHANISM (B)	UPPER EJECT MECHANISM (C)
71757-200CALF	71257-0000LF	72336-000CA	72336-000CA
71757-300CALF	71257-0000LF	72336-100CA	72336-100CA
71757-200CA	71257-0000	72336-000CA	72336-000CA
71757-300CA	71257-0000	72336-100CA	72336-100CA

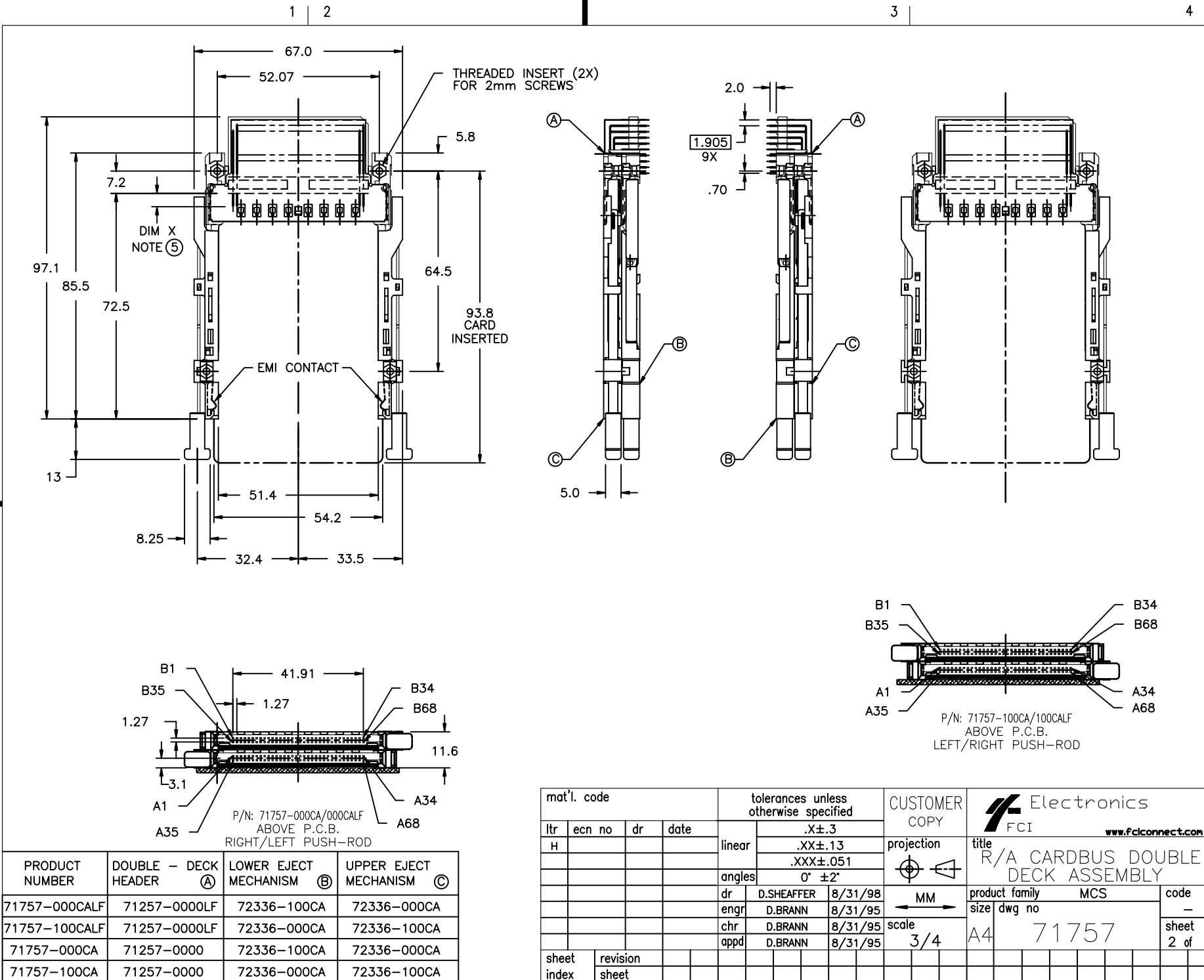
mat'l. code				tolerances unless otherwise specified		CUSTOMER COPY	Electronics FCI www.fciconnect.com
ltr	ecn no	dr	date	linear	angles		
B	V60587	RHG	3/26/96	.XX±.13	0° ±2'	projection	title
C	V61005	RHG	7/8/96	.XXX±.051			
D	V70389	RHG	3/25/97				
E	V71446	RHG	10/7/97				
F	V81800	CGC	10/20/98			MM	product family
G	V12164	TFG	8/16/01				
H	N05-0054	WB	03/01/05			3/4	A4
sheet index	revision	H	H	H			
	sheet	1	2	3			

CUSTOMER COPY		title	
projection	MM	R/A CARDBUS DOUBLE DECK ASSEMBLY	
scale	3/4	product family	MCS
		size	dwg no
		A4	71757
			code
			-
			sheet
			1 of 3

Tous droits strictement reserves. Reproduction ou communication a des tiers interdite sous quelque forme que ce soit sans autorisation écrite du propriétaire. Propriete de c FCI. Droits de reproduction FCI.

All rights strictly reserved. Reproduction or issue to third parties in any form whatever is not permitted without written authority from the proprietor. Property of FCI. Copyright FCI.

FCI

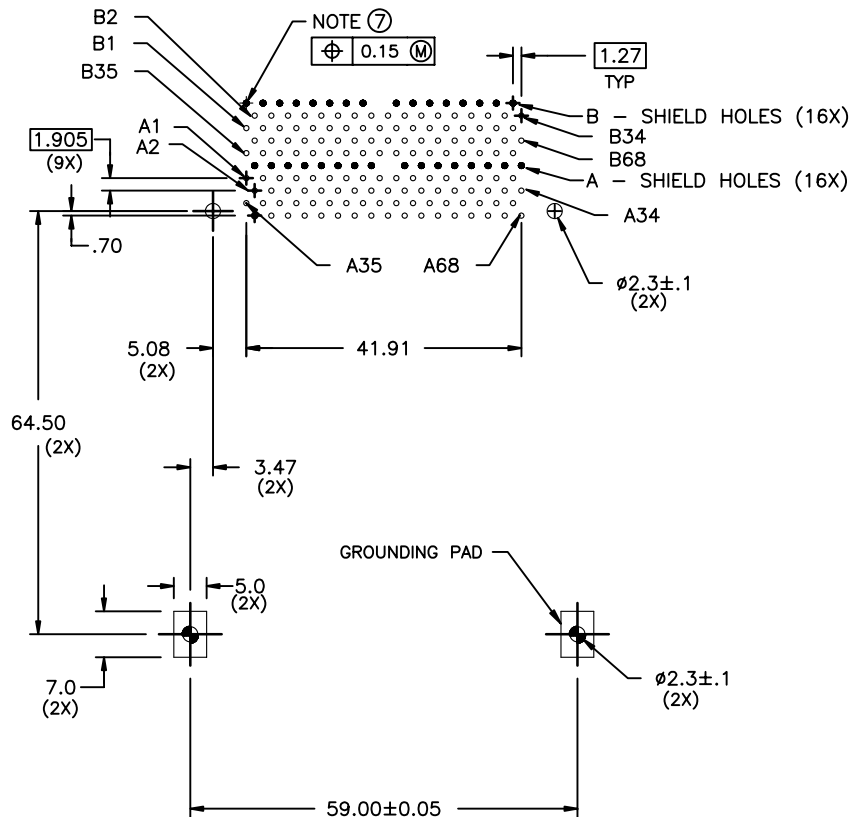


PRODUCT NUMBER	DOUBLE - DECK HEADER ①	LOWER EJECT MECHANISM ②	UPPER EJECT MECHANISM ③
71757-000CALF	71257-0000LF	72336-100CA	72336-000CA
71757-100CALF	71257-0000LF	72336-000CA	72336-100CA
71757-000CA	71257-0000	72336-100CA	72336-000CA
71757-100CA	71257-0000	72336-000CA	72336-100CA

mat'l. code		tolerances unless otherwise specified		CUSTOMER COPY	 FCI Electronics www.fciconnect.com
ltr	ecn no	dr	date	linear	
H					 title R/A CARDBUS DOUBLE DECK ASSEMBLY
				angles	 product family MCS code size dwg no 71757 sheet 2 of
				dr	D.SHEAFFER 8/31/98 engr D.BRANN 8/31/95 chr D.BRANN 8/31/95 appd D.BRANN 8/31/95
sheet index	revision sheet			scale	3/4 A4 cage code 26 STATUS: Released

Tous droits strictement reserves. Reproduction ou communication a des tiers interdite sous quelque forme que ce soit sans autorisation ecrite du proprietaire. Propriete de c FCI. Droits de reproduction FCI.


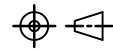
All rights strictly reserved. Reproduction or issue to third parties in any form whatever is not permitted without written authority from the proprietor. Property of FCI. Copyright FCI.



NOTES:

- 1 8mm MIN CARD EJECT.
- 2 EJECT TRAVEL: 9.5mm
- 3 MATERIAL:
 - 3.1 HEADER ASSY:
 - PLASTIC HOUSING: LCP UL94V-0 BLACK - ABOVE PCB
 - PIN: PHOSPHOR BRONZE
 - 3.2 EJECT MECHANISM ASSY:
 - PLASTIC GUIDE: POLYPHTHARAMID UL94V-0 BLACK
 - PLASTIC PUSH-ROD BUTTON: POLYPHTHARAMID UL94V-0 BLACK
 - COVER PLATE, EJECT PLATE, LINK ARM, PUSH ROD: STAINLESS STEEL
 - EMI CONTACT: PHOSPHOR BRONZE
- 4 FINISH (PIN)
 - UNDER PLATING:
 - CONTACT AREA: 0.5um Ni
 - 0.1um GOLD OVER
 - 0.5um Pd-Ni
 - SOLDER TAIL(TIN LEAD OPTION): 2.5um Sn-Pb
 - SOLDER TAIL(LEAD FREE OPTION): 2.5um PURE TIN
- 5 DIM "X"

4.25±0.1	3.5±0.1	5.0±0.1
OTHERS	36,67	1,17,34,35,51,68
- 6 RECOMMENDED SCREW TORQUE: 1.0 TO 1.5 MAX in-lbs. (1.2-1.7 cm-kgs).
RECOMMENDED HOLD DOWN: 2mm SCREWS AND NUTS
SEE 95121 AND 92869 FOR INFORMATION.
- 7 RECOMMENDED DIAMETER IS 1.0. FOR PROCESSES USING PASTE REFLOW, HOLE MAY BE AS SMALL AS 0.79.
- 8 IF LEAD FREE P.N.THE HOUSING WILL WITHSTAND EXPOSURE TO 260°C PEAK TEMPERATURE FOR 10 SECONDS IN A WAVE SOLDER APPLICATION WITH A 1.00MM MINIMUM THICK CIRCUIT BOARD.
- 9 IF LEAD FREE P/N.THE PRODUCT MEETS EUROPEAN UNION DIRECTIVES AND OTHER COUNTRY REGULATIONS AS DISCRIBED IN GS-22-008
- 10 LEAD FREE P/N PACKAGING MEETS GS-14-920 SPECIFICATION

mat'l. code				tolerances unless otherwise specified		CUSTOMER COPY		 www.fciconnect.com	
ltr	ecn no	dr	date	linear	.X±.3		projection	title	
H					.XX±.13			R/A CARDBUS DOUBLE DECK ASSEMBLY	
					.XXX±.051				
				angles	0° ±2'		 MM	product family	
				dr	D.SHEAFFER	8/31/95		MCS	
				enr	D.BRANN	8/31/95		code	
				chr	D.BRANN	8/31/95		-	
				appd	D.BRANN	8/31/95		sheet	
sheet index		revision sheet				scale		size	
						3/4		A4	
								71757	
								3 of	